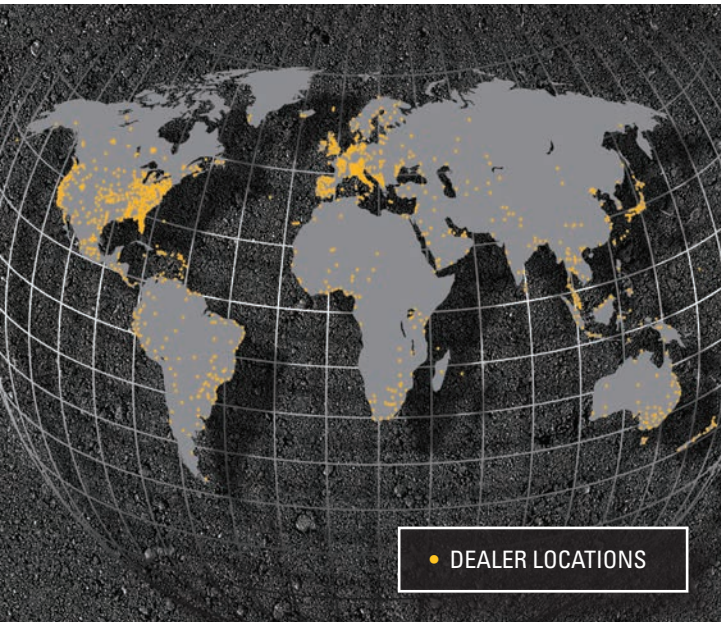


SERVICE REPAIR KITS

THE SOLUTION.





NO ONE EQUALS OUR GLOBAL FOOTPRINT:

200,000 PEOPLE, 180 COUNTRIES, 6 CONTINENTS.

- ✓ 24/7 support from the extensive Cat® dealer network
- ✓ Dedicated and highly trained paving specialists
- ✓ One-stop equipment, parts, service and rental
- ✓ Flexible financial incentives

Discover a world of service and value at your local Cat dealer.



When you are ready to replace high wear parts and schedule off-season repairs, we can deliver a **parts solution** with carefully designed service repair kits.

These kits include all of the parts necessary to complete specific repairs to simplify the parts ordering process and ensure no parts are missing.



GENUINE PARTS

- ✓ Manufactured to precise specifications
- ✓ Designed for optimum performance
- ✓ Maximize uptime
- ✓ Expert dealer consultation

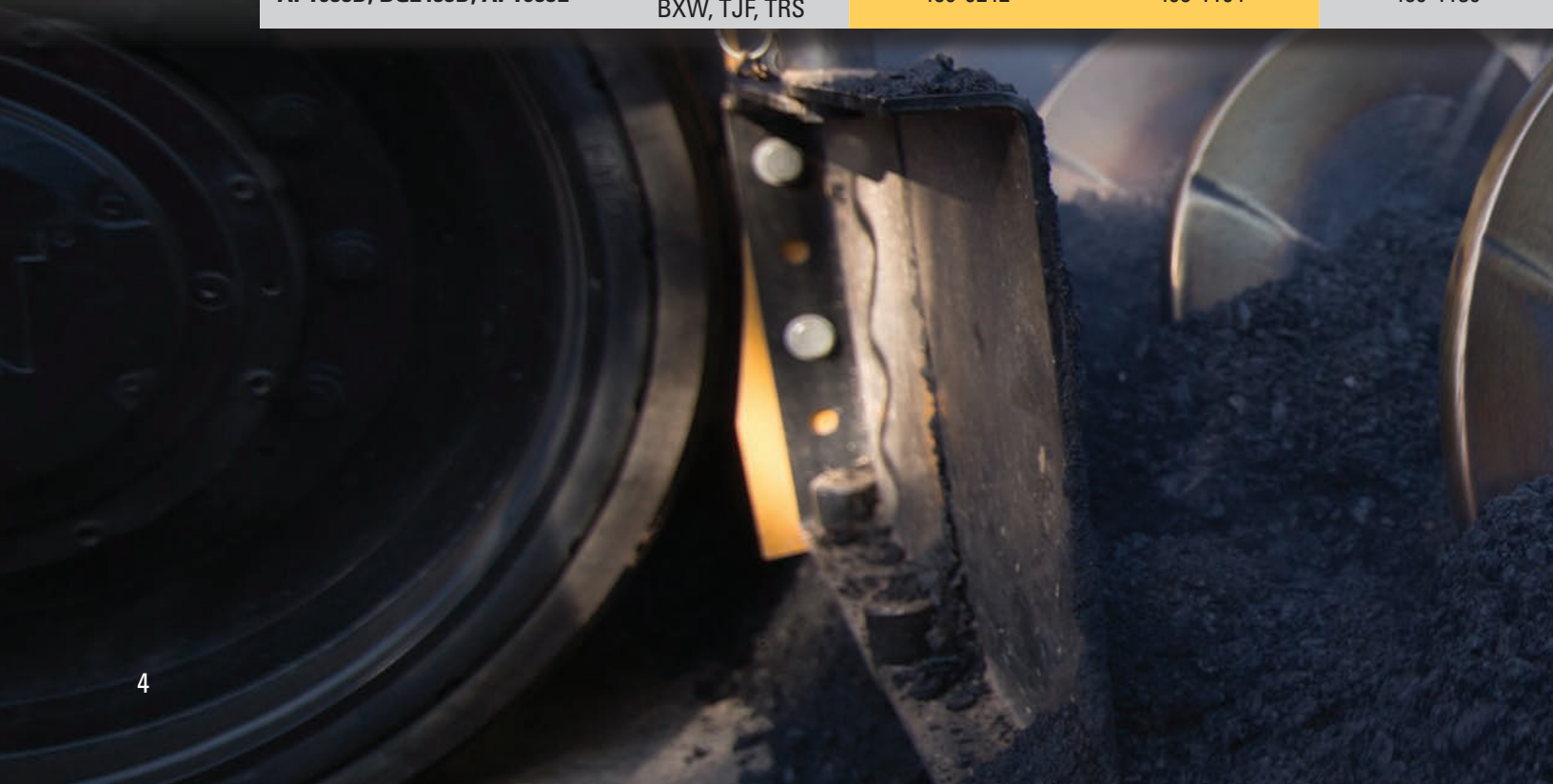
We offer eight wear part repair kits to support asphalt pavers and six kits for screed wear part repairs.

These kits are identified by a single part number to make ordering easy. Select kits are available to be packaged as a kit by the dealer for over-the-counter purchases or through the dealer service shop.

For more information on service repair kits, or for expert advice on completing a machine service repair, refer to the Owning and Operating Manual or contact your local Cat dealer.

PAVER KIT PART NUMBERS

Sales Model	Serial Number Prefix	Auger Segments	Auger Bearing	Auger Assembly
AP255E	D8A	488-8596	489-0262	489-0648
AP300, AP300D	B2Y, TEN	488-9604	491-8020	491-8069
AP300F	WHY, YES, NNN	515-1254	515-1255	515-1257
AP355F	NRG, NTT, NED	515-1253	515-1255	515-1256
AP500E, AP555E, AP600D, AP655C, AP655D	JWK, A5D, TFM, TFZ, AYP, CDG, GNN, GNZ, MAN, MAT	475-6225	468-1104	475-6227
AP500F, AP555F	449, 503, AP5, 5F5 AF5, F5M, RBM, M45	488-9994	468-1104	489-0647
AP600F, AP655F	AP6, LR6, MH6, ML6, 655, P65, 453, 480, 452, 479, D6F, JA6	489-0083	468-1104	489-0647
AP1000B, BG260C	7HN, AGP, 8GN, BYG	489-0153	489-0277	489-0981
AP1000D, BG260D	EAD, BPW	489-0218	468-1104	489-1063
AP1000E	DKH, T1F	489-0219	468-1104	489-1065
AP1000F, AP1055F	AC4, RLM, TJ5	489-0220	468-1104	489-1069
AP1050B	6ZN	489-0228	489-0277	489-1118
AP1055B, BG2455C	8BM, A3P, ABB, 6TN, ACM, B2G	489-0229	489-0277	489-1130
AP1055D, BG2455D, AP1055E	FAC, A6P, BNW, BXW, TJF, TRS	489-0242	468-1104	489-1139



Feeder Bed Plate	Feeder Chain Assembly	Feeder Chain Guard	Feeder Foot Shaft	Feeder Head Shaft
491-8070	489-3424	489-4644	489-7629	489-3433
491-8071	489-3425	491-8079	489-7630	490-3763
455-9369 (Qty: 4)	515-1249	515-1252	515-1251	515-1250
495-1486 (Qty: 4)	515-1249	515-1252	515-1251	515-1250
468-1103 (JWK, A5D) 489-3411	475-6228 (JWK, A5D) 489-3426	475-6230 (JWK, A5D) 489-4648	475-6231	475-6232
489-3412	576-3700	489-4649	475-6231	475-6232
489-3413	576-3701	489-4650	475-6231	475-6232
489-3414	489-3429	489-4651	475-6231	489-3436
489-3415	489-3429	489-4653	475-6231	489-4638
489-3418	489-3430	489-6610	489-7631	489-4638
489-3419	576-3704	489-6611	475-6231	475-6232
489-3420	489-3430	489-6613	475-6231	489-3447
489-3421	489-3430	489-6620	489-7631	489-3447
489-3422	489-3430	489-7642, 489-7643 (TJF, TRS)	489-7632	489-4638

Note: The part numbers highlighted in yellow are available as a complete kit. All others identify service repair options that may be ordered, at the consist level, through the Cat dealer to complete the repair.

SCREED KIT PART NUMBERS

Sales Model	Serial Number Prefix	Paver Model	Screed Plate
AS3143	A8A	AP255E	515-7503
AS3173 LPG	DLC	AP300, AP300D	515-7511
AS3173 Electric	DLC	AP300, AP300D	515-7513
AS4173	NET	AP300	515-7606
AS2252C	TDS	AP500E, AP555E, AP600D, AP655D	488-3822
AS3251C	JJN	AP500E, AP555E, AP600D, AP655D	488-3823
AS4251C Diesel	DLB	AP500E, AP555E, AP600D, AP655D	475-6255
AS4251C Electric	DLB	AP500E, AP555E, AP600D, AP655D	475-6260
AS4251 Electric	DLH	AP600, AP755	475-6281
AS4252C Electric	TPS	AP500E, AP555E, AP600D, AP655D	475-6286
10-20B Diesel	AGT, BWN, 2KN, 2LN, 3HL	AP1000D, AP1055D, BG2455D	515-1556
10-20B Electric	AGT, BWN, 2KN, 2LN, 3HL	AP1000D, AP1055D, BG2455D	475-6290
AS3301C	DWM	AP1000E, AP1055E	475-6291
SE60 V	JJ3	AP1000F, AP1055F	488-3824
SE60 V XW	JS9	AP655F, AP1000F, AP1055F	488-3825
SE60 VT XW	TLW, E99	AP655F, AP1000F, AP1055F	488-3826, 541-0016 SN: TLW00220 and up
SE50 V	J97	AP600F, AP655F	488-3827
SE50 VT	J6K, B86	AP600F, AP655F	488-3977, 540-9971 SN: J6K00181 and up
SE34 V	RAT	AP300F, AP355F	515-1565
SE34 VT	NEK	AP300F, AP355F	515-1562

Tamper Bar	Deflector	Screed Service	Screed Heating Element	Tamper Heating Element
N/A	N/A	N/A	558-2163	N/A
N/A	N/A	N/A	N/A	N/A
N/A	N/A	N/A	515-7516, 515-7517 SN: DLC578 and up	N/A
515-7602	N/A	515-7604	515-7605	N/A
N/A	488-3852	488-3841	488-3921	N/A
N/A	488-3853	488-3842	488-3922	N/A
475-6259	488-3854	475-6257	N/A	N/A
475-6263	488-3854	475-6278	475-6279	488-3928
475-6263	488-3854	475-6282	475-6283	475-6284
475-6285	488-3855	475-6287	475-6288	475-6289
N/A	488-3909	488-3843	N/A	N/A
N/A	488-3909	515-1555	515-1554	N/A
N/A	488-3908	475-6292	475-6293	N/A
N/A	488-3911	488-3847	578-9450	N/A
N/A	488-3912	488-3848	578-9451	N/A
574-8015 574-8017 SN: TLW00220 and up	488-3914	488-3849, 537-5479 SN: TLW00220 and up	578-9451, 578-9456 SN: TLW00220 and up	578-9454
N/A	488-3915	488-3850	578-9452	N/A
574-8018 574-8019 SN: J6K00181 and up	488-3916	488-3851, 540-9988 SN: J6K00181 and up	578-9453	578-9455
N/A	515-1567	515-1564	515-1566	N/A
515-1561	515-1563	515-1559	515-1566	515-1560

Note: The part numbers highlighted in yellow are available as a complete kit. All others identify service repair options that may be ordered, at the consist level, through the Cat dealer to complete the repair.

EXTENDED-LIFE PAVER KIT PART NUMBERS

Sales Model	Serial Number Prefix	Feeder Bed Plate	Feeder Chain Guard
AP300F, AP355F	WHY, YES, NNN, NRG, NTT, NED	580-8916 (qty: 4)	582-6706
AP500F, AP555F	449, 503, AP5, 5F5 AF5, F5M, RBM, M45	582-6699	582-6703
AP600F, AP655F	AP6, LR6, MH6, ML6, 655, P65, 453, 480, 452, 479, D6F, JA6	582-6700	582-6704
AP655F L	AC6	582-6702	582-6707
AP1000F, AP1055F	AC4, RLM, TJ5	582-6701	582-6705



EXTENDED-LIFE SCREED KIT PART NUMBERS

Sales Model	Serial Number Prefix	Paver Model	Screed Plate	Nose Bar
AS3301C, 10-20B	DWM, AGT, BWN, 2KN, 2LN, 3HL	AP1000E, AP1055E	471-1698	N/A
AS4252C	TPS	AP500E, AP555E, AP600D, AP655D	471-1699	N/A
AS3251C	JJN	AP500E, AP555E, AP600D, AP655D	471-1700	N/A
SE60 V	JJ3	AP1000F, AP1055F	489-1444	594-9281
SE60 V XW	JS9	AP655F, AP1000F, AP1055F	489-1444	594-9282
SE60 VT XW	TLW, E99	AP655F, AP1000F, AP1055F	489-7483 526-7312 SN: TLW00220 and up	N/A
SE50 V	J97	AP600F, AP655F	490-4254	594-9278
SE50 VT	J6K, B86	AP600F, AP655F	490-6476 527-4111 SN: J6K00191 and up	N/A

Extended life wear parts provide up to 5 times the life of most standard wear parts. They utilize a chromium-carbide overlay that resists wear from highly abrasive aggregates found in various asphalt mix designs.

These extended life parts are a direct replacement for standard wear parts.

PAVER KITS

AUGER SEGMENTS KIT

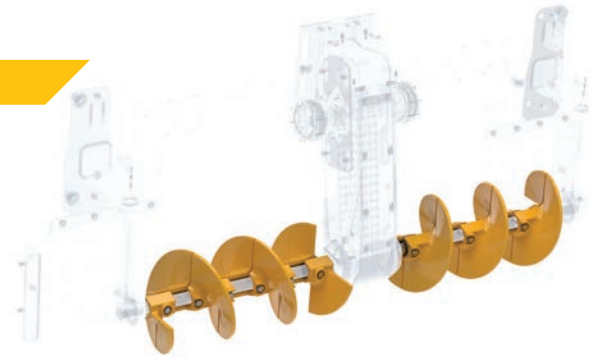
Contains a complete set of auger segments (half and quarter segments) and all of the hardware necessary to attach the segments to the auger shaft. This kit does not include the bearings (please refer to the Auger Bearings kit) or the shaft.

Actual segment configuration may vary by machine model.

E-SERIES



F-SERIES

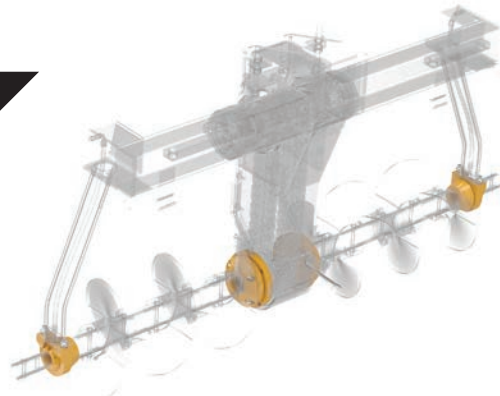


AUGER BEARINGS KIT

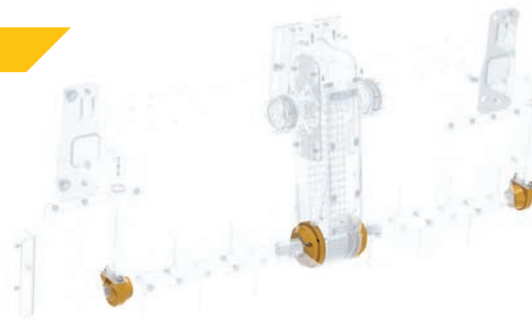
Contains the outside and inside auger bearings as well as all of the necessary hardware.

Proactively maintain the auger bearings to avoid premature bearing failure.

E-SERIES



F-SERIES



PAVER KITS



E-SERIES

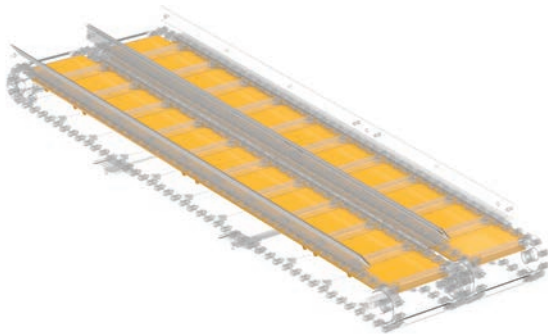
AUGER ASSEMBLY KIT

Contains all of the parts necessary (segments, bearings, hardware, center deflector, chain case guard, and shaft) to do a complete auger service repair.

Choose the kit based on the paver sales model. Actual segment configuration may vary by machine model.



F-SERIES

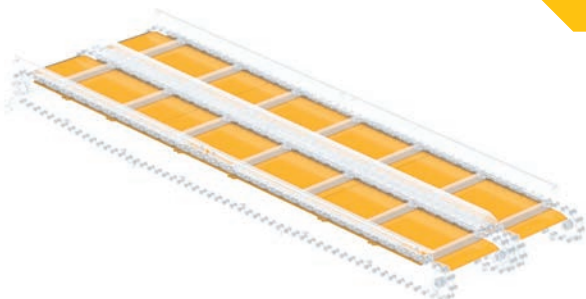


E-SERIES

FEEDER BED PLATE KIT

Contains plates and all necessary hardware for installation.

This kit does not include the chain guards, please see the Feeder Chain Guard kit.



F-SERIES

PAVER KITS

FEEDER CHAIN KIT

Includes a **fully assembled** feeder chain set (right and left side).

Proactively maintain the feeder chain to avoid unplanned and costly downtime.

E-SERIES



F-SERIES

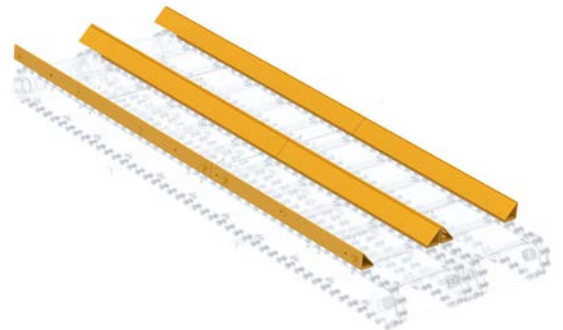


FEEDER CHAIN GUARD KIT

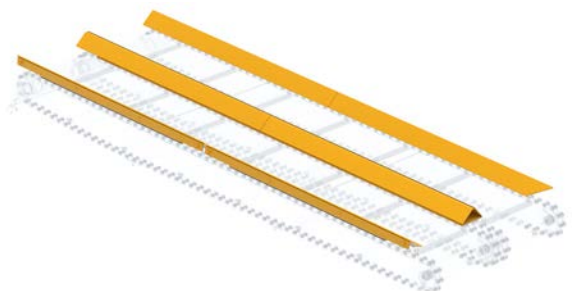
Includes plates and hardware for installation.

This kit does not include the bed plates, please refer to the Feeder Bed Plate kit.

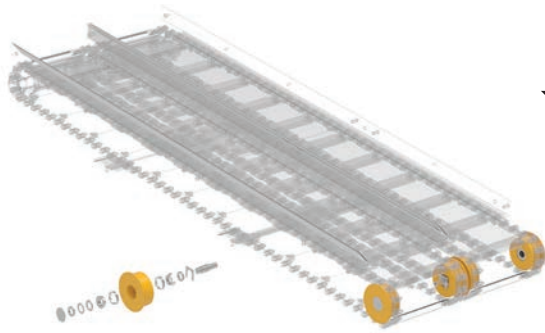
E-SERIES



F-SERIES



PAVER KITS

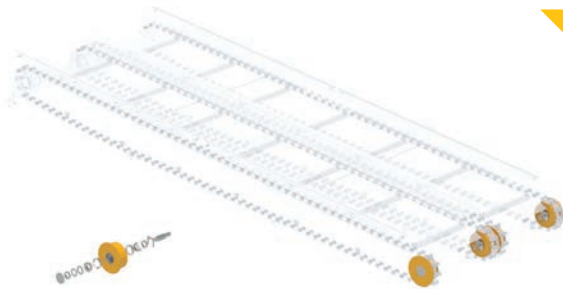


E-SERIES

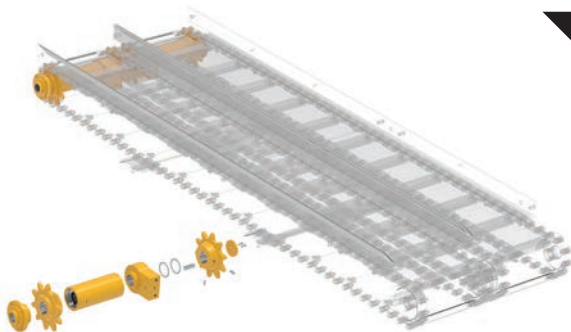
FEEDER FOOT SHAFT REBUILD KIT

This kit includes the foot shaft assembly and bearing necessary to complete the repair.

Note: The kit supports one conveyor chain; pavers with two conveyors will require two kits.



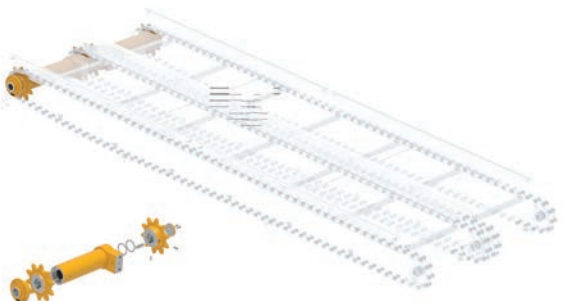
F-SERIES



E-SERIES

FEEDER HEAD SHAFT REBUILD KIT

Includes head shaft assembly and bearings necessary for repair.



F-SERIES



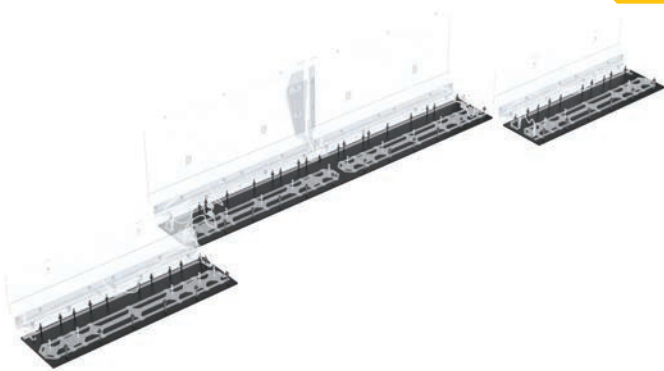
Screed Plate Kits and Screed Service Kits may be customized to include Extended Wear Screed Plates for customers in high wear applications. This is an ideal solution for regions with very hard aggregate. The Extended Wear Screed Plates must be ordered separately, for more information and specific part numbers, contact your Cat dealer.

SCREED KITS

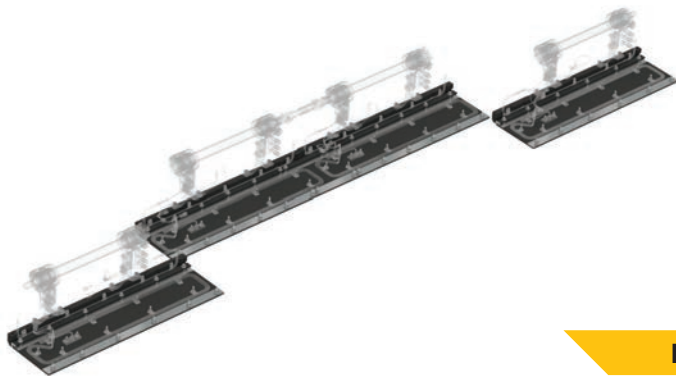
E-SERIES



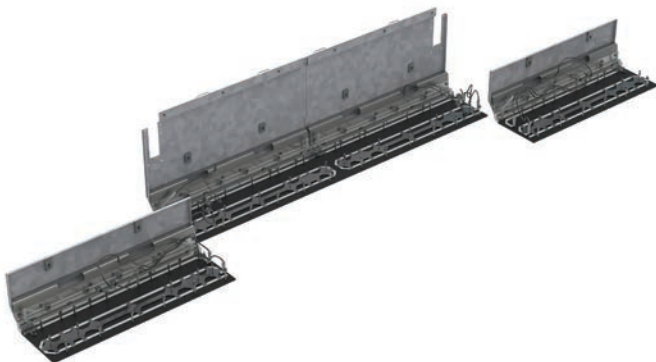
F-SERIES



E-SERIES



F-SERIES



SCREED PLATE KIT*

This kit contains the screed plates, nose bars and hardware needed for a basic screed plate repair.

The screed plates are one of the highest wear components. It is recommended to proactively check and replace the screed plates to ensure optimum distribution of material.

SCREED SERVICE KIT*

Contains screed plates, hardware, tamper blades, tamper wear plates, pins, bolts, nuts and washers for a complete screed repair.

Note: This kit does not include heating elements—please refer to the Screed Heating Element Kit.

SCREED KITS

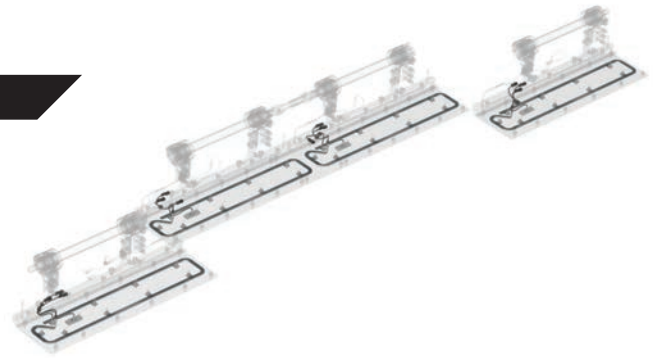
SCREED HEATING ELEMENT KIT

This kit is designed to support electric heated screeds only. Included within the kit are the heating elements and related hardware.

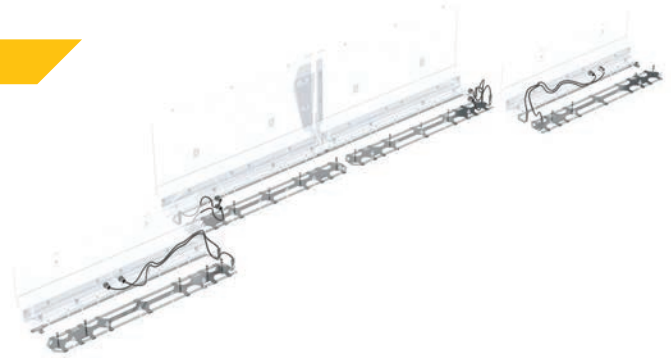
NOTE: Apply thermal compound under **every** heat sensor and heating element during installation; **the compound is not included in this kit and must be ordered separately.** Dow Corning 340 heat sink compound is recommended to complete this repair.

NOTE: F-Series kit does not require thermal compound.

E-SERIES

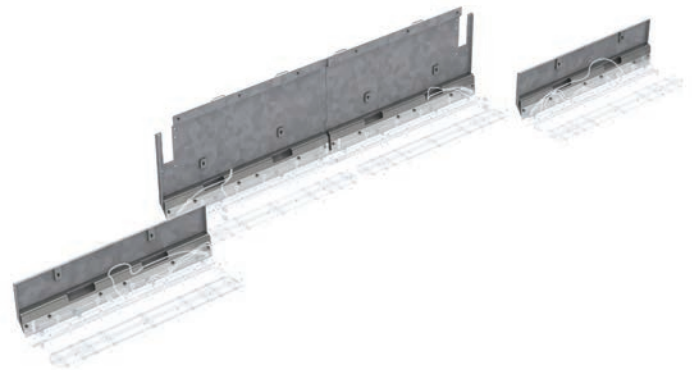


F-SERIES



DEFLECTOR KIT

Contains plates and all of the necessary hardware to complete the repair.





SCREED KITS

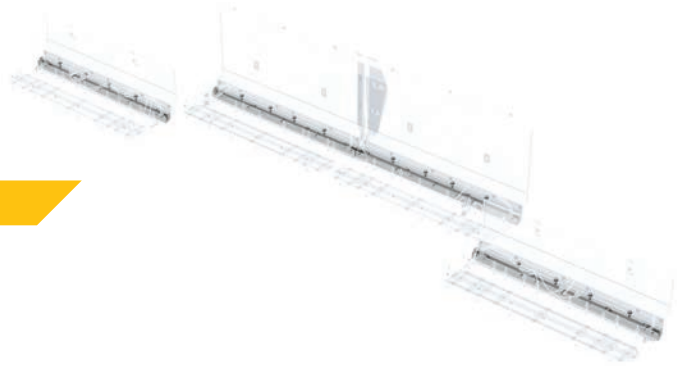
TAMPER BAR KIT

Contains the tamper blades, wear plates, pins, bolts, nuts and washers for a basic tamper bar repair.

E-SERIES



F-SERIES



TAMPER BAR HEATING ELEMENT KIT

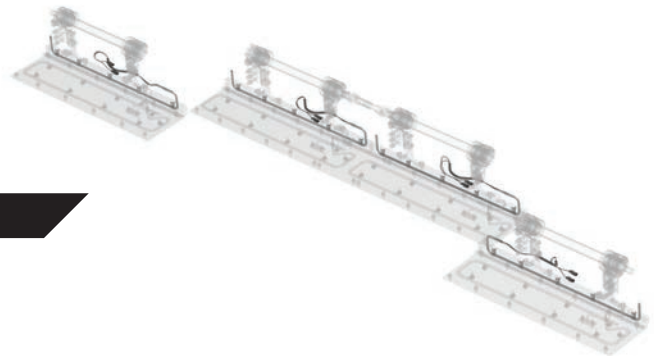
This kit is designed to support electric heated screeds with a tamper bar. The kit contains the tamper bar heating element and required hardware.

This kit does not include the tamper bar. Please refer to the Tamper Bar kit.

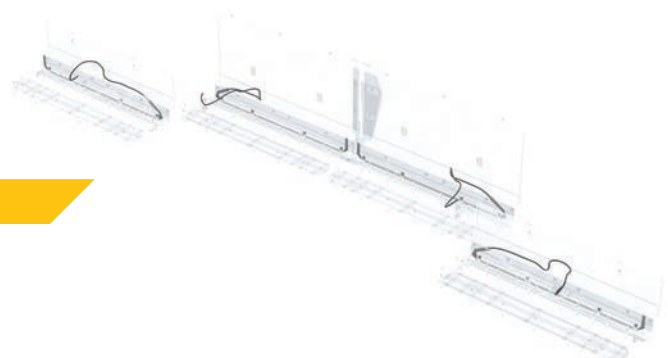
NOTE: Apply thermal compound under **every** heat sensor and heating element during installation; **the compound is not included in this kit and must be ordered separately.** Dow Corning 340 heat sink compound is recommended to complete this repair.

NOTE: F-Series kit does not require thermal compound.

E-SERIES



F-SERIES






SERVICE REPAIR KITS

THE SOLUTION.



When you are ready to replace high wear parts and schedule off-season repairs, we can deliver a **parts solution** with carefully designed service repair kits.

 www.facebook.com/CatPaving

 www.youtube.com/CatPaving

www.cat.com/paving



QEDQ1660-11 (12/20)

© 2020 Caterpillar
All Rights Reserved

CAT, CATERPILLAR, LET'S DO THE WORK, their respective logos, "Caterpillar Corporate Yellow", the "Power Edge" and Cat "Modern Hex" trade dress as well as corporate and product identity used herein, are trademarks of Caterpillar and may not be used without permission.

