

# BROOMS

SKID STEER LOADERS  
COMPACT TRACK LOADERS  
COMPACT WHEEL LOADERS  
SMALL WHEEL LOADERS  
BACKHOE LOADERS



---

## Models

BA118, BA121, BA22, BA25, BA30  
BP115C, BP118C, BP22, BP25  
BU115, BU118, BU121

Angle Brooms  
Pickup Brooms  
Utility Brooms

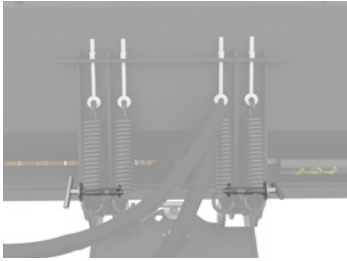
Machine model availability and attachment vary by region. Contact your local Cat® dealer for exact compatibility and availability.



## ANGLE BROOMS

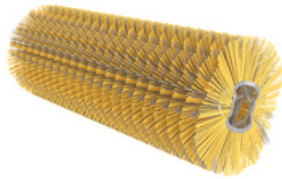
Angle Brooms use a windrowing action to move loose debris ahead and to the side of the surface being swept. They can be oriented straight or angled up to 30° left or right of center in forward travel. BA118 and BA121 models are for use on skid steer loaders, compact tracker loaders and compact wheel loaders. The BA22, BA25 and BA30 are for used backhoe loaders, compact and small wheel loaders.

# FEATURES – BA118, BA121 ANGLE BROOMS



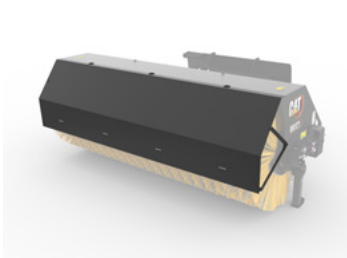
### SPRINGS WITH LOCKOUT

Adjustable springs help to keep proper ground pressure of the bristles. Spring lockout feature allows more control of bristles during special applications.



### BRISTLE OPTIONS

BA118 and BA121 come standard with either a 50/50 mix of replaceable polypropylene and steel wire sections or all polypropylene. Convoluted bristle sections can be converted to all wire for special applications.



### OPTIONAL DEFLECTOR KIT

Optional deflector helps reduce dust and debris from becoming airborne and settling on the broom or the host machine.



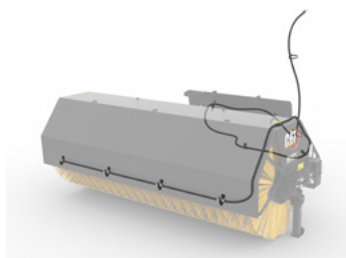
### RELIABLE HYDRAULIC MOTOR

Strong gerotor hydraulic motor provides high torque to the bristle core and is designed to maximize performance of standard flow machines.



### VARIABLE SWEEPING ANGLE

Angles hydraulically or manually 30 degrees left or right; will also clean in straight position.



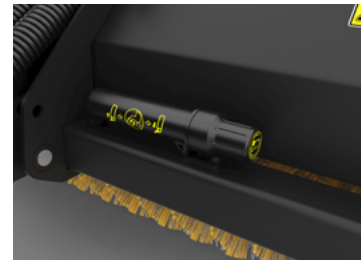
### OPTIONAL SPRINKLER KIT

An optional water sprinkler kit is available which helps reduce the amount of airborne dust during your sweeping operations. (requires deflector and machine mounted water tank)



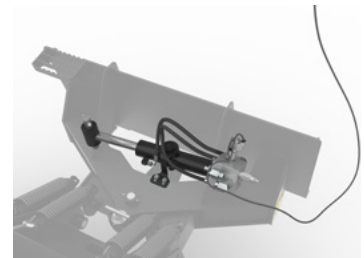
### PARKING SUPPORTS

Parking supports provide stable and secure parking of the broom when not in use and prevents flat spots from forming on bristles.



### TOOL MOUNTED OMM

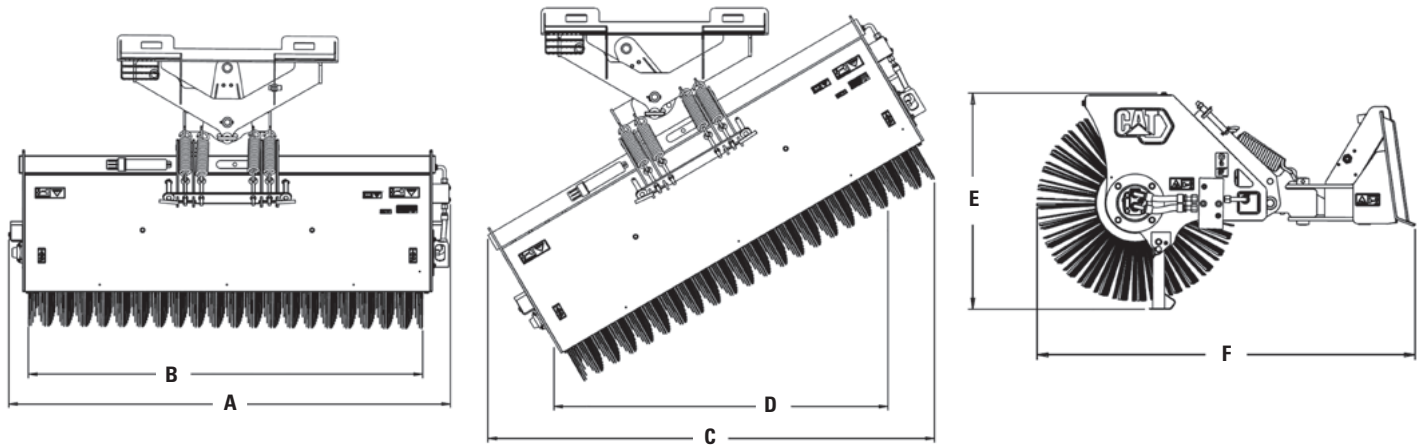
Tool mounted and sealed from the elements, this holder includes all of the operation maintenance manuals (OMM) and guides required for proper operation of the work tool.



### OPTIONAL HYDRAULIC ANGLING CONVERSION KIT

Converts a manual angle broom into a hydraulic angle broom. (requires manual angle broom)

# DIMENSIONS – BA118, BA121 ANGLE BROOMS



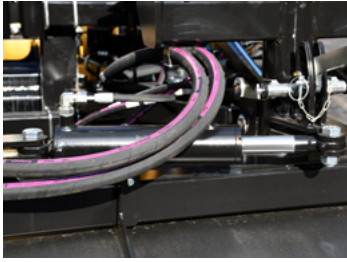
ANGLE BROOMS						
MODEL	BA118	BA118	BA118	BA121	BA121	BA121
Angling	Manual	Hydraulic	Hydraulic	Manual	Hydraulic	Hydraulic
Bristles (50% Poly/50% Wire)	X	X		X	X	
Bristles (100% Poly)			X			X
<b>A</b> Overall Width – mm (in)		2036 (80.2)			2336 (92)	
<b>B</b> Sweeping Width – mm (in)		1800 (70.9)			2100 (82.7)	
<b>C</b> Overall Width – Fully Angled 30° – mm (in)		1760 (69.3)			2020 (79.5)	
<b>D</b> Sweeping Width – Fully Angled 30° – mm (in)		1560 (61.4)			1820 (71.7)	
<b>E</b> Overall Height – mm (in)		893 (35.2)			893 (35.2)	
<b>F</b> Overall Length – mm (in)		1560 (61.4)			1560 (61.4)	
Brush Diameter – mm (in)		815 (32.1)			815 (32.1)	
Brush Speed at Maximum Flow – rpm		200			200	
Optimal Hydraulic Flow – L/min (gpm)		42-87 (11-23)			42-87 (11-23)	
Optimal Hydraulic Pressure – bar (psi)		145-241 (2100-3500)			145-241 (2100-3500)	
Weight – kg (lb)	372 (820)	388 (855)	378 (833)	400 (882)	417 (919)	405 (893)
Required Hydraulics	STD Flow	STD Flow-14 Pin Electrical		STD Flow	STD Flow-14 Pin Electrical	
Interface	Skid Steer Coupler					
Compatibility	SSL/CTL – 216B3-299D3, CWL – 903D-908					

STD = standard

CWL = compact wheel loader

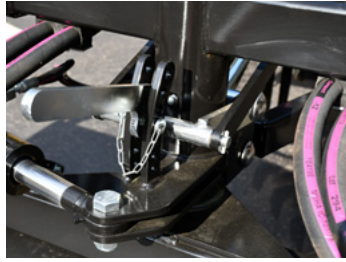
SSL/CTL = skid steer loader/compact track loader

# FEATURES – BA22, BA25, BA30 ANGLE BROOMS



## VARIABLE SWEEPING ANGLE

Angles hydraulically or manually 30 degrees left or right; will also clean in straight position.



## UNIQUE SUSPENSION

Unique suspension system eliminates the need for support wheels. Brush maintains constant ground pressure through a range of vertical motion from the initial setting.



## PARKING SUPPORTS

Parking supports provide stable and secure parking of the broom when not in use.



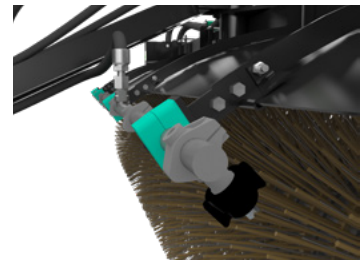
## RE-DESIGNED LEVELING INDICATOR

Leveling indicator allows operator to conveniently see the level of the broom from the cab during operation.



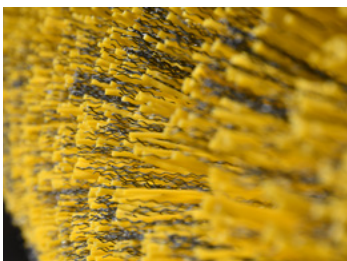
## PROTECTED HYDRAULIC MOTORS

Hydraulic motors are protected from dust and debris – yet easily accessible if needed.



## OPTIONAL WATER SPRINKLER KIT

An optional water sprinkler kit is available which helps reduce the amount of airborne dust during sweeping operations.



## POLYPROPYLENE AND WIRE BRISTLE OPTIONS

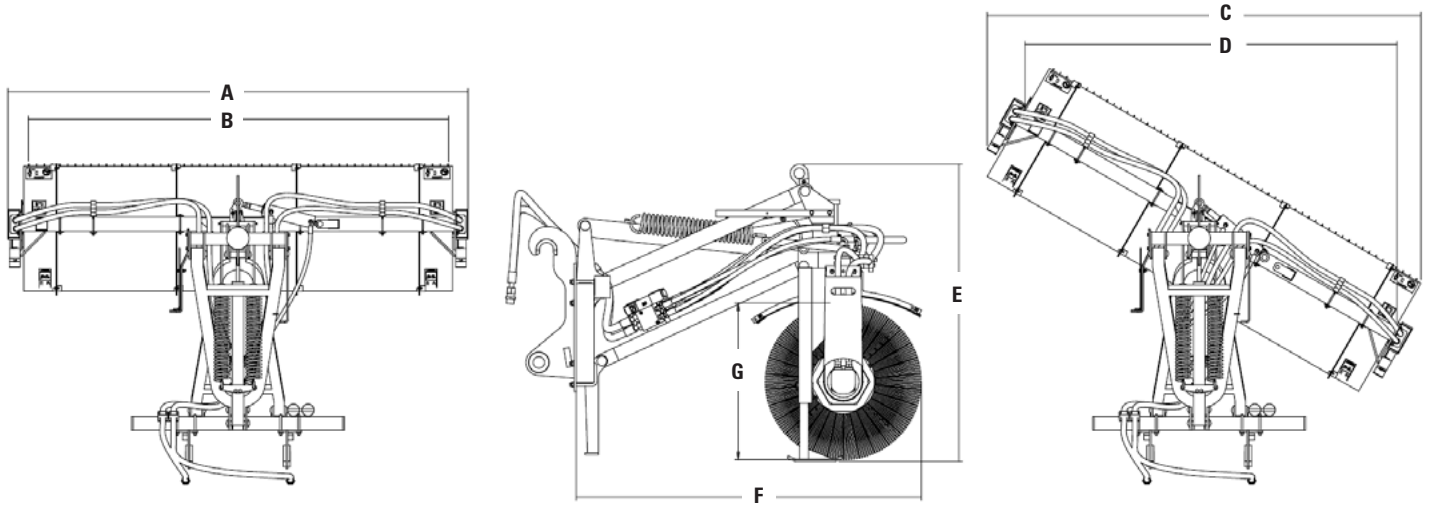
Cat Angle Brooms come standard with a 50/50 mix of replaceable polypropylene and steel wire sections. Convuluted bristle sections can be converted to all wire or all poly for special applications.



## TOOL MOUNTED OMM

Tool mounted and sealed from the elements, this holder includes all of the operation maintenance manuals (OMM) and guides required for proper operation of the work tool.

# DIMENSIONS – BA22, BA25, BA30 ANGLE BROOMS



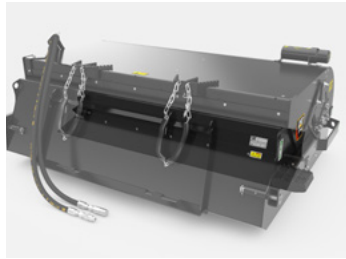
ANGLE BROOMS						
MODEL	BA22	BA25	BA25	BA25	BA30	BA30
Angling	Hydraulic	Manual	Hydraulic	Hydraulic	Manual	Hydraulic
<b>A</b> Overall Width – mm (in)	2400 (94.5)		2700 (106.3)		3200 (126)	
<b>B</b> Sweeping Width – mm (in)	2200 (86.6)		2500 (98.4)		3000 (118.1)	
<b>C</b> Overall Width – Fully Angled 30° – mm (in)	2100 (82.7)		2400 (94.5)		2800 (110.2)	
<b>D</b> Sweeping Width – Fully Angled 30° – mm (in)	1900 (74.8)		2200 (86.6)		2600 (102.4)	
<b>E</b> Overall Height – mm (in)	1300 (51.2)		1300 (51.2)		1520 (59.8)	
<b>F</b> Overall Length – mm (in)	1535 (60.4)		1535 (60.4)		1630 (64.2)	
Brush Diameter – mm (in)	700 (27.6)		700 (27.6)		915 (36)	
Brush Speed at Maximum Flow – rpm	306		385		303	
Optimal Hydraulic Flow – L/min (gpm)	40-75 (11-20)		40-150 (11-40)		42-300 (11-80)	
Optimal Hydraulic Pressure – bar (psi)	150-260 (2176-3771)		150-260 (2176-3771)		150-260 (2176-3771)	
Weight – kg (lb)	410 (904)	430 (948)	440 (970)	440 (970)	500 (1102)	510 (1124)
Voltage	12V	–	12V	24V	–	24V
Required Hydraulics	3rd Function		3rd Function		3rd Function	
Interface	Requires Hook Group (Machine Interface)					
Compatibility	CWL – 906-908		BHL – 415-450 CWL – 910-920 SWL – 924-938		SWL – 924-938	

STD = standard  
 BHL = backhoe loader  
 CWL = compact wheel loader  
 SWL = small wheel loader

## PICKUP BROOMS

Cat® Pickup Brooms sweep and deposit material into an integrated hopper bucket for easy removal and dumping. Bi-directional capabilities of the bristles allow pickup brooms to sweep in forward or reverse machine travel. Optimum sweeping style is in forward travel, resulting in over-the-brush pickup. Certain conditions require a dust pan style of sweeping, done in reverse travel. BP115C and BP118C models are for use on skid steer loaders, compact tracker loaders and compact wheel loaders. The BP22 and BP25 are for used backhoe loaders, compact wheel loader and small wheel loaders.

# FEATURES – BP115C, BP118C PICKUP BROOMS



### LARGE HOPPER CAPACITY

Large hopper capacity allows greater productivity with longer sweeping cycles. Wide bucket opening permits fast, efficient dumping.

### ADJUSTABLE VOLUMIZER

Adjustable volumizer allows more material retention in hopper, giving operator more sweeps before stopping to empty material.

### INTERIOR DEFLECTORS

Interior deflectors, rear bucket seal, and side brush stripping direct dirt and dust into the bucket, reducing spillage and air-borne contaminants.



### BRISTLE HEIGHT ADJUSTMENT

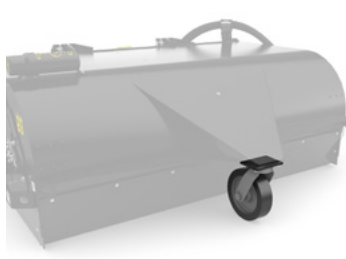
Bristle height adjustments have been simplified with the use of handle and a tool-less locking feature.

### MOTOR SERVICABILITY

Motor serviceability is enhanced with a handle shaped motor bracket, core connection is close to broom wall and single retention pins allow for quick brush change and less downtime.

### DUAL CHAIN AND LOADER ARM BRACKET SYSTEM

Dual chain and loader arm bracket system holds broom housing horizontally when emptying the hopper.



### REPLACEABLE BOLT-ON CUTTING EDGES

Replaceable bolt-on cutting edges increase wear life of hopper bucket.

### GUIDE WHEEL

Heavy-duty low profile pneumatic guide wheel supports the hood during sweeping.

### SERRATED STEPS

Serrated steps help the operator safely enter and exit the cab.

# FEATURES – BP115C, BP118C PICKUP BROOMS *(continued)*



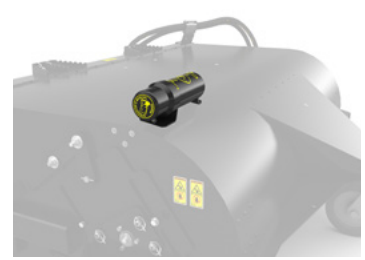
## OPTIONAL DUST CONTROL

An optional water sprinkler kit is available which helps reduce the amount of airborne dust during sweeping operations.



## OPTIONAL GUTTER BRUSH

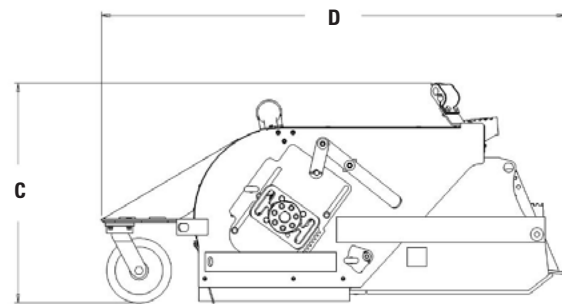
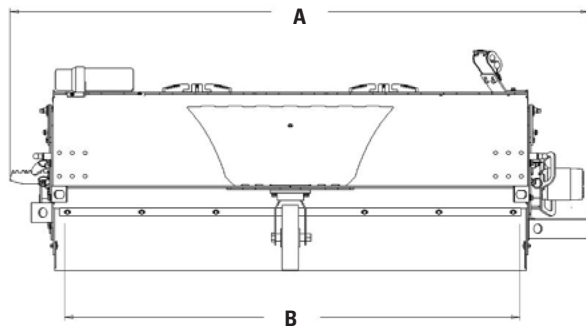
Optional gutter brush mounted on the left or right side of the broom assists in removing material from gutters and pavement edges.



## TOOL MOUNTED OMM

Tool mounted and sealed from the elements, this holder includes all of the operation maintenance manuals (OMM) and guides required for proper operation of the work tool.

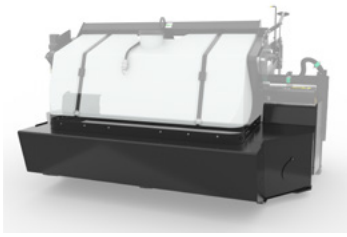
# DIMENSIONS – BP115C, BP118C PICKUP BROOMS



PICKUP BROOMS		
MODEL	BP115C	BP118C
A Overall Width – mm (in)	1990 (78.3)	2295 (90.4)
B Sweeping Width – mm (in)	1524 (60)	1829 (72)
C Overall Height – mm (in)	872 (34.3)	
D Overall Length – mm (in)	1837 (72.3)	
Hopper Capacity – m <sup>3</sup> (yd <sup>3</sup> )	0.41 (0.54)	0.49 (0.60)
Weight – kg (lb)	526 (1160)	570 (1257)
Brush Diameter – mm (in)	660 (26)	
Brush Speed at Maximum Flow – rpm	199	
Optimal Hydraulic Flow – L/min (gpm)	42-86 (11-23)	
Optimal Hydraulic Pressure – bar (psi)	145-235 (2100-3400)	
Required Hydraulics	Standard Flow	
Compatibility	CWL – 903D-908 SSL/CTL – 226B3-299D3	CWL – 903D-908 SSL/CTL – 226B3-299D3

CWL = compact wheel loader  
SSL/CTL = skid steer loader/compact track loader

# FEATURES – BP22, BP25 PICKUP BROOMS



## LARGE HOPPER CAPACITY

Large hopper capacity allows greater productivity with longer sweeping cycles. Wide bucket opening permits fast, efficient dumping..



## UNIQUE SUSPENSION SYSTEM

Unique suspension system eliminates the need for support wheels, allowing the broom to float freely over the work surface. This ensures proper bristle contact from the initial setting.



## LEVELING INDICATOR

Leveling indicator allows operator to conveniently see the level of the broom from the cab during operation.



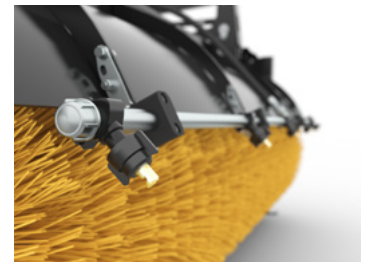
## PARKING SUPPORTS

Parking supports provide stable and secure parking of the broom when not in use.



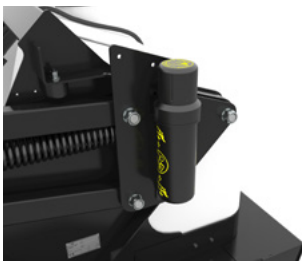
## INTEGRATED WATER TANK

The BP22 and BP25 both feature a 400 liters (106 gallons) capacity integrated water tank.



## INTEGRATED SPRINKLERS

Water sprinkler kit helps reduce the amount of airborne dust during sweeping operations.



## TOOL MOUNTED OMM

Tool mounted and sealed from the elements, this holder includes all of the operation maintenance manuals (OMM) and guides required for proper operation of the work tool.



## FULL SET OF POLYPROPYLENE BRISTLES

BP22 and BP25 Pickup Brooms come standard with replaceable polypropylene sections. Convoluted bristle sections can be converted to 50/50 poly and wire for special applications.

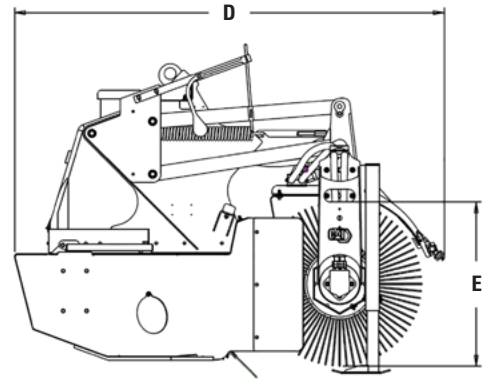
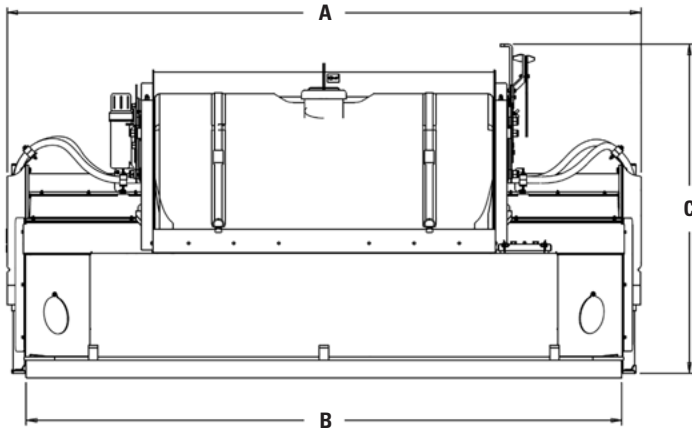


## PROTECTED HYDRAULIC MOTORS

The BP22 is powered by one hydraulic motor, the BP25 is powered by two hydraulic motors. Each motor is mounted to protect them from damage.



# DIMENSIONS – BP22, BP25 PICKUP BROOMS



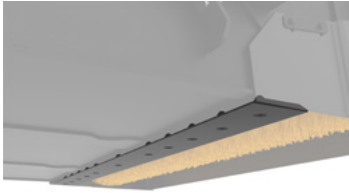
PICKUP BROOMS		
MODEL	BP22	BP25
A Overall Width – mm (in)	2400 (94.5)	2700 (106.3)
B Sweeping Width – mm (in)	2200 (86.6)	2500 (98.4)
C Overall Height – mm (in)	1300 (51.2)	
D Overall Length – mm (in)	1830 (72)	
E Brush Diameter – mm (in)	700 (27.6)	
Hopper Capacity – m <sup>3</sup> (yd <sup>3</sup> )	0.55 (0.7)	0.66 (0.9)
Weight – kg (lb)	580 (1279)	650 (1433)
Brush Speed at Maximum Flow – rpm	306	385
Optimal Hydraulic Flow – L/min (gpm)	20-80 (5-21)	40-150 (11-40)
Optimal Hydraulic Pressure – bar (psi)	150-260 (2176-3771)	
Required Hydraulics	3rd Function	
Interface	Requires Hook Group	
Voltage	12V	12V and 24V
Compatibility	CWL – 906-908	BHL – 415-450 CWL – 910-920 SWL – 924-938

BHL = backhoe loader  
 CWL = compact wheel loader  
 SWL = small wheel loader

## UTILITY BROOMS

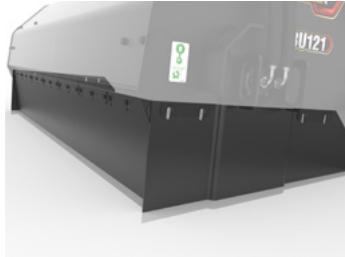
Utility Brooms sweep and collect light debris on smooth surfaces in forward or reverse travel. They can be adjusted for greater bristle down-force in tough applications such as sweeping course material out of a cold planer cut. The BU115, BU118 and BU121 models are for use on skid steer loaders, compact tracker loaders and compact wheel loaders.

# FEATURES – BU115, BU118, BU121 UTILITY BROOMS



### REVERSIBLE CUTTING EDGE

Bolt-on cutting edge extends the life of the hopper in severe applications.



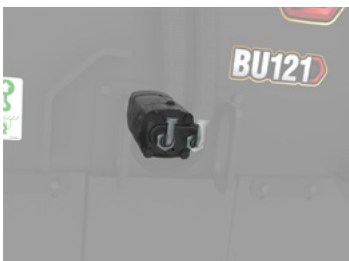
### RUBBER SKIRTS

Rubber skirts on front and sides of broom aid in containing debris and airborne contaminants during sweeping.



### DEPTH ADJUSTMENT

Adjustable locking nut allows brush core to float, reducing bristle wear, or provides positive brush down-force for aggressive sweeping.



### PROTECTED LONG LIFE MOTOR

Hydraulic motors are protected from dust and debris, yet easily accessible if needed.



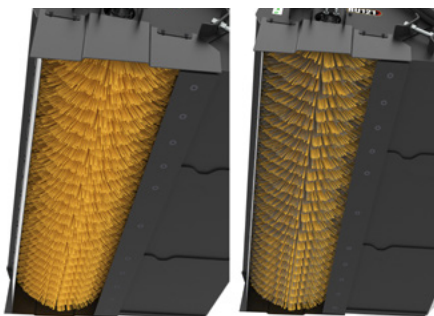
### SERRATED STEPS

Serrated steps help the operator safely enter and exit the cab.



### TOOL MOUNTED OMM

Tool mounted and sealed from the elements, this holder includes all of the operation maintenance manuals (OMM) and guides required for proper operation of the work tool.



100% Poly

50% Poly/50% Wire

### BRISTLE OPTIONS

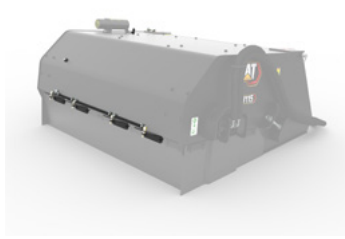
Standard broom material is made of replaceable polypropylene and steel wire sections or all polypropylene.

# FEATURES – BU115, BU118, BU121 UTILITY BROOMS *(continued)*



## OPTIONAL GUTTER BRUSH KIT

Optional gutter brush mounted on the left or right side of the broom assists in removing material from gutters and pavement edges.



## OPTIONAL DUST SUPPRESSION

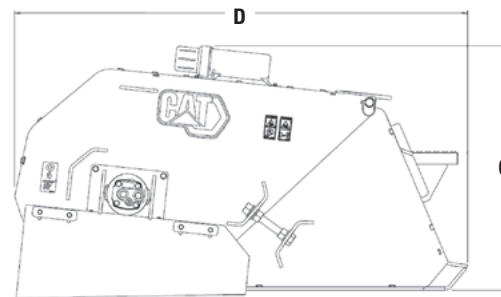
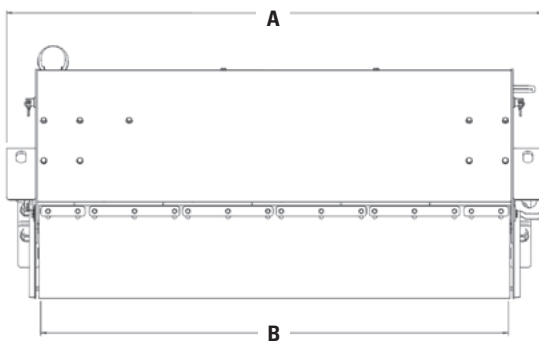
An optional water sprinker kit is available to help reduce the amount of airborne dust during sweeping operations. Can be used with machine or tool mounted water tank.



## OPTIONAL BROOM MOUNTED WATER TANK

Optional broom mounted water tank feeds water to the dust suppression sprinklers.

# DIMENSIONS – BU115, BU118, BU121 UTILITY BROOMS



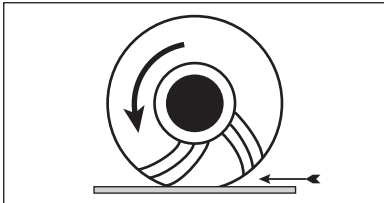
UTILITY BROOMS						
MODEL	BU115	BU115	BU118	BU118	BU121	BU121
Bristles (50% Poly/50% Wire)		X		X		X
Bristles (100% Poly)	X		X		X	
<b>A</b> Overall Width – mm (in)	1810 (71.3)		2115 (83.3)		2420 (95.3)	
<b>B</b> Sweeping Width – mm (in)	1500 (59.1)		1800 (70.9)		2100 (82.7)	
<b>C</b> Overall Height – mm (in)	793 (31.2)		793 (31.2)		793 (31.2)	
<b>D</b> Overall Length – mm (in)	1530 (60.2)		1530 (60.2)		1530 (60.2)	
Hopper Capacity – m <sup>3</sup> (yd <sup>3</sup> )	0.41 (0.5)		0.49 (0.6)		0.53 (0.7)	
Weight – kg (lb)	430 (948)	433 (955)	485 (1069)	488 (1076)	539 (1188)	542 (1195)
Brush Diameter – mm (in)	665 (26.2)		665 (26.2)		665 (26.2)	
Brush Speed at Maximum Flow – rpm	210		210		210	
Optimal Hydraulic Flow – L/min (gpm)	30-86 (8-23)		30-86 (8-23)		30-86 (8-23)	
Optimal Hydraulic Pressure – bar (psi)	145-241 (2100-3500)		145-241 (2100-3500)		145-241 (2100-3500)	
Motor Displacement – cm <sup>3</sup> (in <sup>3</sup> )	395 (24)		395 (24)		395 (24)	
Required Hydraulics	Standard Flow		Standard Flow		Standard Flow	
Compatibility	SSL/CTL – 216B3 – 299D3 CWL – 906-908		SSL/CTL – 216B3 – 299D3 CWL – 906-908		SSL/CTL – 216B3 – 299D3 CWL – 906-908	

CWL = compact wheel loader  
SSL/CTL = skid steer loader/compact track loader

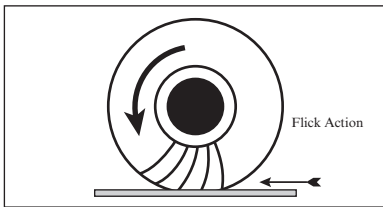
# APPLICATIONS

BROOM APPLICATION MATRIX			
	Pickup Brooms	Utility Brooms	Angle Brooms
Sweeping debris from a flat surface	•	•	•
Collecting debris from a surface	•	•	
Side casting debris/material from a surface			•
Sweeping coarse material from a cold planer cut		•	
Optimum machine travel direction	Forward or Reverse	Forward or Reverse	Forward
Optimum brush/bristle rotation	Bi-directional	Bi-directional	Uni-directional reverse rotation

## OPERATING TIPS



**Too Much Pressure – causes mop action  
Incorrect**



**Proper Pressure – sweeping with the tips  
Correct**

### PROPER DOWN PRESSURE FOR PICKUP AND ANGLE BROOMS

Effective sweeping uses the tip of the bristles to flick debris off the surface. Proper down pressure will result in brush wear at the tip. If the brush bristle is pushed down too far, it drags across the surface on its side and wears more quickly on a long angle. Excessive downward pressure can decrease brush life by up to 95% and limit sweeping effectiveness.

To check for proper down pressure, rotate the broom at normal operating speed on the ground while the machine is stationary. After lifting the broom off the ground, measure the brush pattern on the ground. It should be between 55-110 mm (2-4 in) wide. If it is wider than 110 mm (4 in), you are exerting too much down pressure.

### STANDARD TWO YEAR WARRANTY

All brooms come standard with a two year warranty to give you peace of mind when purchasing a quality Cat Angle, Pickup or Utility Broom attachment.



For more complete information on Cat products, dealer services and industry solutions, visit us on the web at [www.cat.com](http://www.cat.com)

AEHQ8447 (09-2023)  
(Global)

© 2023 Caterpillar. All Rights Reserved.

Materials and specifications are subject to change without notice. Featured machines in photos may include additional equipment. See your Cat dealer for available options.

CAT, CATERPILLAR, LET'S DO THE WORK, their respective logos, "Caterpillar Corporate Yellow," the "Power Edge" and Cat "Modern Hex" trade dress as well as corporate and product identity used herein, are trademarks of Caterpillar and may not be used without permission.  
[www.cat.com](http://www.cat.com) [www.caterpillar.com](http://www.caterpillar.com)

